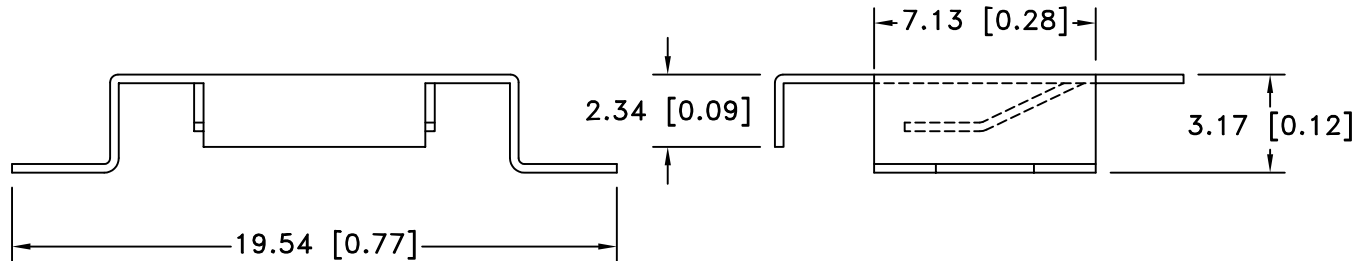
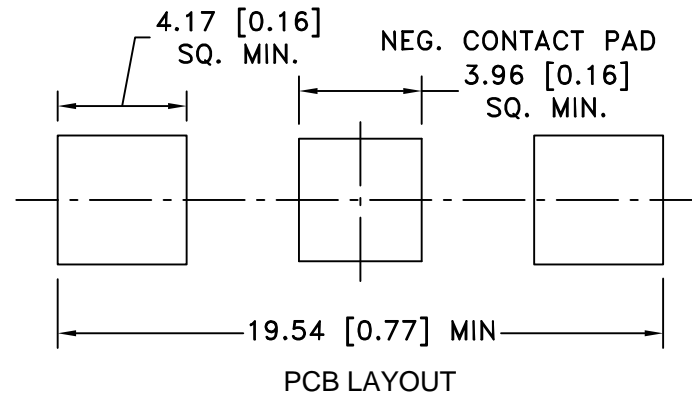
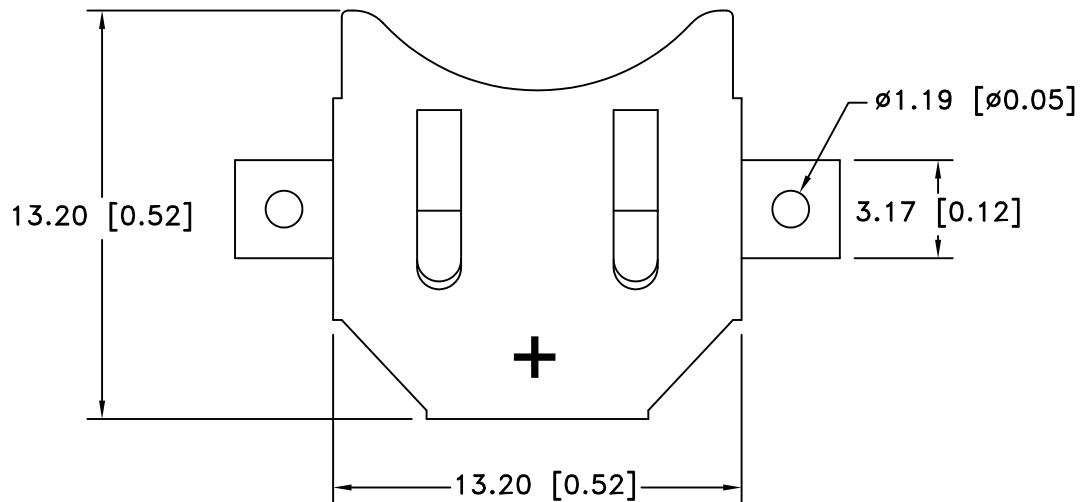



Date	SYM	REVISION RECORD	AUTH	DR.	CK.
10/22/05	A	ADDED "ROHS COMPLIANT"	T.B.	B.S.	
2/04/06	B	ADDED CHAMFERS	T.B.	B.S.	
10/10/08	C	UPDATED PCB LAYOUT	T.B.	B.S.	



NOTES:

1. MATERIAL:
0.25mm PHOSPHOR BRONZE, NICKLE PLTD.
2. ROHS COMPLIANT

Tolerance (Except as noted)	 Memory Protection Devices, Inc 200 Broad Hollow Road, Farmingdale, New York 11735		
decimal $\pm .5$ (.020)	Scale	Drawn By B.S.	
Fractional $\pm .8$ (.030)	Title COIN CELL RETAINER FOR 12mm DIA. BATTERIES		
Angular $\pm 3^\circ$	Date 10/10/08	Drawing Number BK-885	

CELL SIZE	RETAINS BATTERY NUMBERS
12mm	BR1216. CR1216. BR1220. CI 1220. CR1220. BR1225